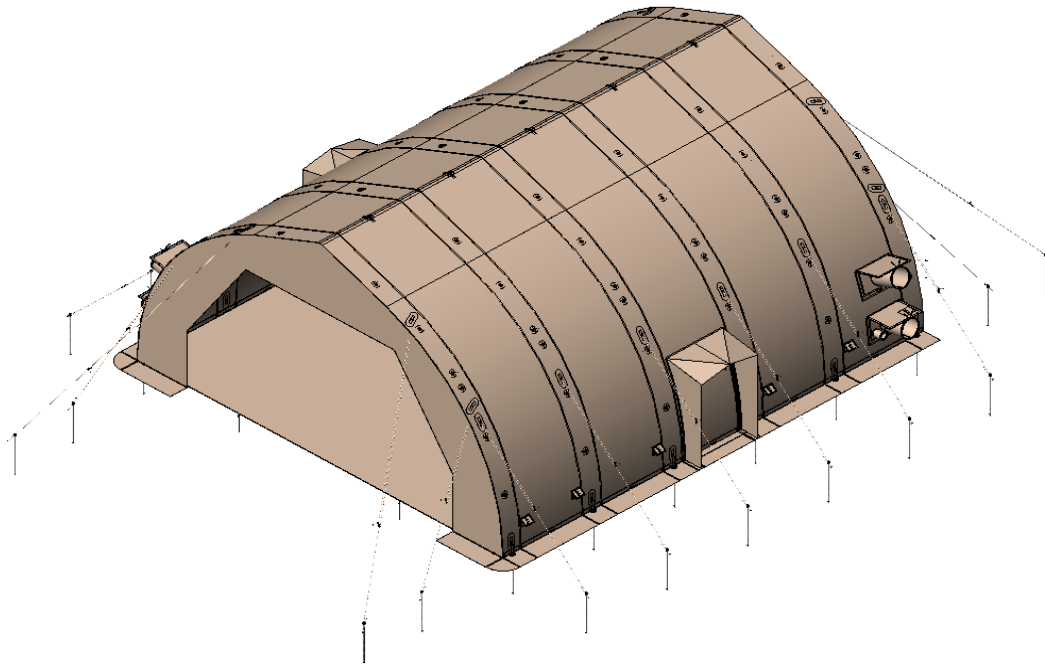


PRODUCT DATA SHEET	CONTRACTOR NAME: FEDERAL-FABRICS-FIBERS, (3F)
---------------------------	--



1. PART NUMBER: SS-303815-02		2. NSN:	
3. NAME: SHELTER SYSTEM, 3038	4. TYPE: AIRBEAM TENT	5. CLASS: AIRBEAM	
6. COLOR: GREEN - 1 / TAN - 2	7. SUPPORT SYSTEM: AIRBEAM/AIRFRAME	8. SERIES: 3000	
9. INTENDED USE: GENERAL PURPOSE, COMMAND POST, MAINTENANCE, HOSPITAL, BILLETING			
10. DIMENSIONS (IN FEET AND INCHES)	LENGTH: 38'	WIDTH: 30'	HEIGHT: RIDGE / EAVE 15.29'
11. DIMENSIONS (EXTERNAL GUYED)	LENGTH: 61'	WIDTH: 45'	
12. SQUARE FEET INTERIOR: 1140 SQ FT			
13. WEIGHT: 1270 LBS (POUNDS, UNPACKAGED)	14. WEIGHT: 1300 (POUNDS, PACKAGED)		15. SHIPPING CUBE: 132 CU. FT. (PACKAGED)
16. SHIPPING CONTAINER	LENGTH: 88"	WIDTH: 72"	HEIGHT: 48"
17. SET-UP TIME / NUMBER OF PERSONS: 21 / 2		18. STRIKE TIME / NUMBER OF PERSONS: 40 / 6	
19. PARTS INCLUDED:			
AIRFRAME (AF-303815-02) OUTER SKIN (OS-303815-02) INSIDE SKIN (IS-303815-02) PLENUM (PL-303815-02) STAKING KIT (SK-303815-02) REPAIR KIT (RK-303815-02) BAG (BA-303815-02)			
20. DESCRIPTION: SHELTER SYSTEM, 30' WIDE X 38' LONG X 12' HIGH, TYPE 02			
SHELTER CONFIGURATION: 2 TEMPER ADAPTOR DOORS, 2 CARGO DOOR, REMOVABLE FLOOR, SAND BAG FLAPS, ANCHOR TIE DOWN POINTS, SOLAR SHADE READY			

21. SUPPORT EQUIPMENT:	PART NUMBER/ NSN	Included or Optional	DESCRIPTION
LIGHT SET Product Data Sheet			
ELECTRICAL OUTLET SET Product Data Sheet			
FLOORING Product Data Sheet			
HEATER Product Data Sheet			
AIR CONDITIONER Product Data Sheet			
GENERATOR Product Data Sheet			
POWER DISTRIBUTION Product Data Sheet			
TRAILER MOUNTED SUPPORT SYSTEM Product Data Sheet			
INSULATED LINER Product Data Sheet			
INSULATED FLOORING Product Data Sheet			
SOLAR SHADE/ CAMOU. NETT Product Data Sheet			

